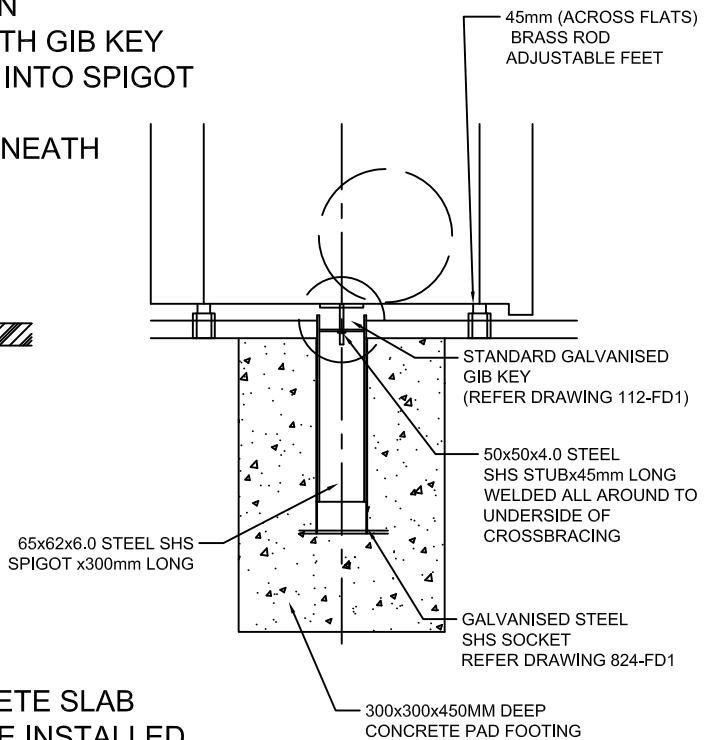
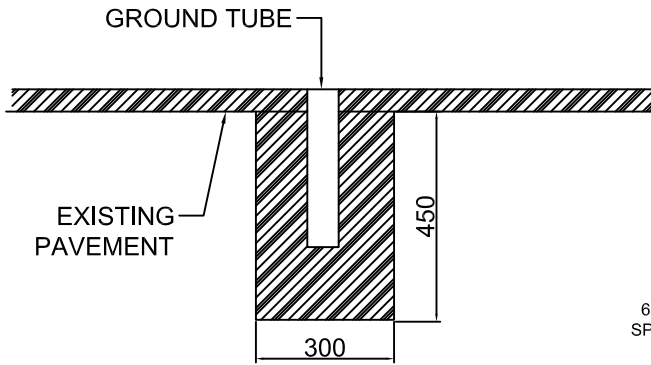


EXISTING NON-CONCRETE PAVING

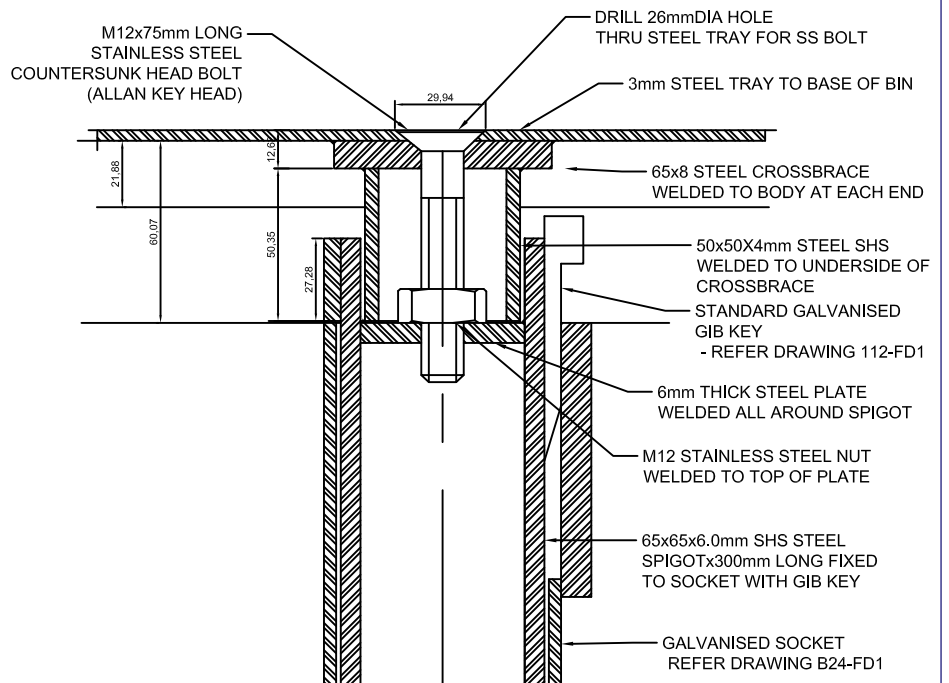
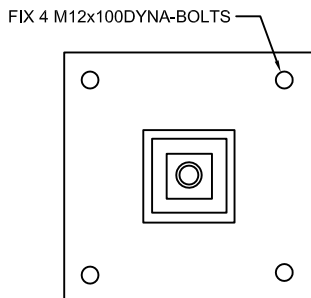
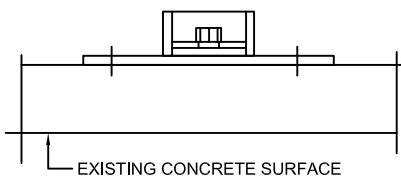
1. LOCATE POSITION WHERE BIN NEEDS TO BE INSTALLED
2. CORE DRILL 300DIA 450 DEEP HOLE
3. CONCRETE SURROUND TUBE INTO POSITION
4. FIT SPIGOT INTO GROUND TUBE AND FIX WITH GIB KEY
5. LOCATE SURROUND SO THAT BOSS DROPS INTO SPIGOT
6. FIX BIN IN SPIGOT USING M12 CSK BOLT
7. LEVEL BIN USING 4 LEVELLING FEET UNDERNEATH



BOLT DOWN SYSTEM

-FOR USE WHEN FIXING TO EXISTING CONCRETE SLAB

1. LOCATE POSITION WHERE BIN NEEDS TO BE INSTALLED
2. LOCATE MOUNT PLATE (BELOW) CENTRALLY OVER POSITION
3. DRILL AND DYNA-BOLT MOUNT PLATE IN POSITION
4. LOCATE SURROUND OVER MOUNT PLATE SO THAT BOSS DROPS INTO RECEIVER
5. LEVEL BIN USING 4 LEVELLING FEET UNDERNEATH



BIN SURROUND BOLT DOWN SYSTEM

STANDARD DRAWING

DATE REVIEWED
OCTOBER 2015

SCALE
NTS

DRAWING No.
SD7015