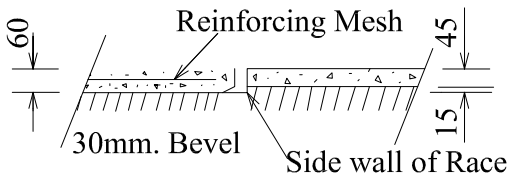
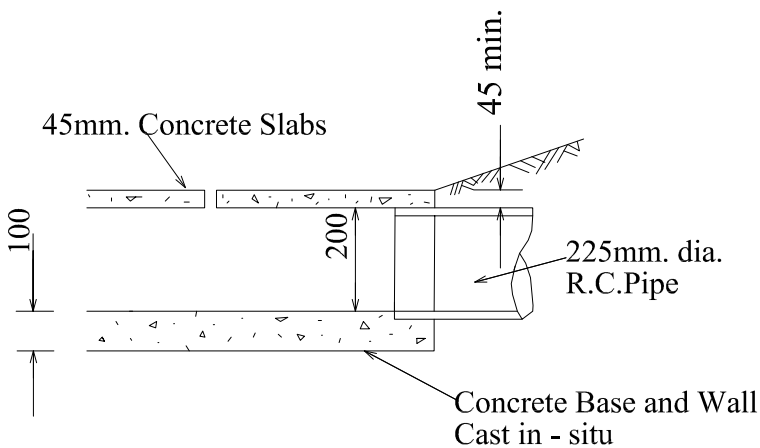


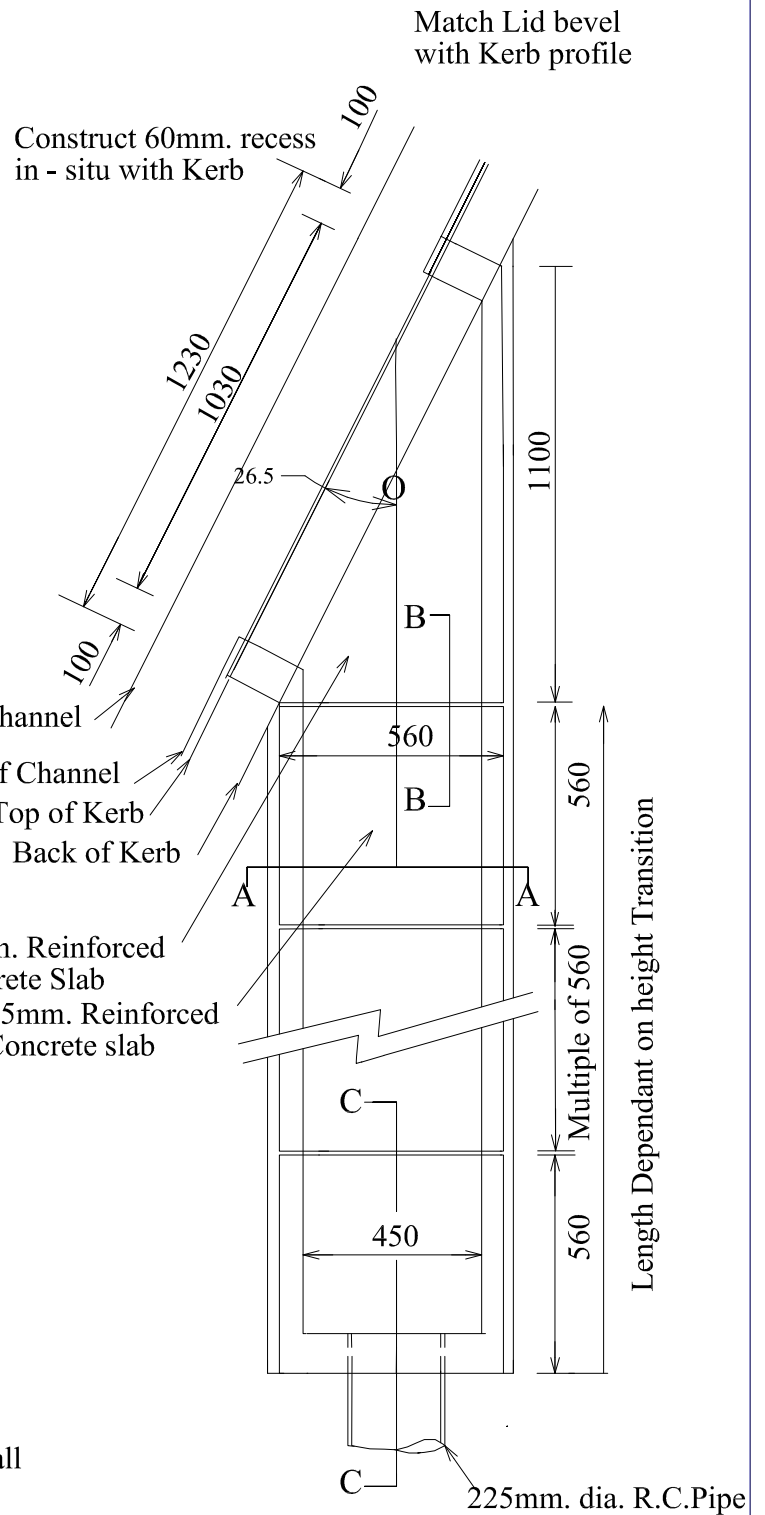
SECTION A-A



SECTION B-B



SECTION C-C



PLAN



**STANDARD OUTLET RACE TO SUIT
225MM DIA. PIPE**

STANDARD DRAWING

DATE REVIEWED
OCTOBER 2015

SCALE
NTS

DRAWING No.
SDI019