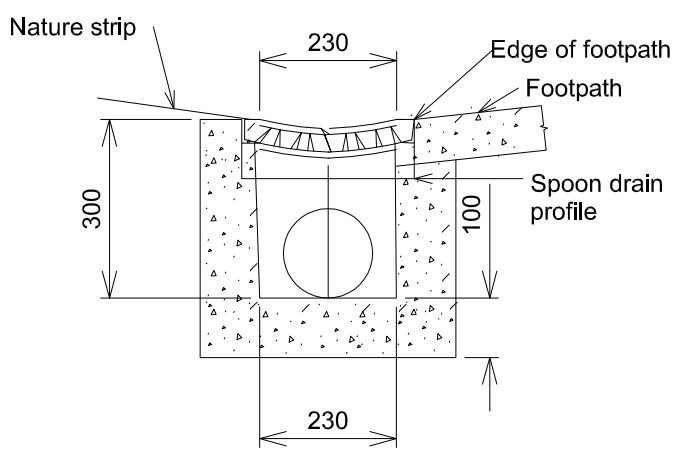
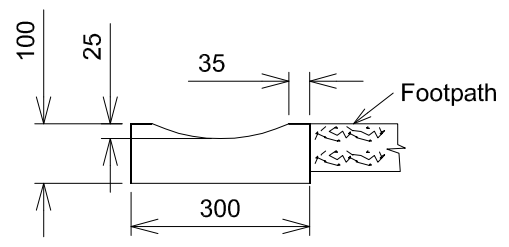


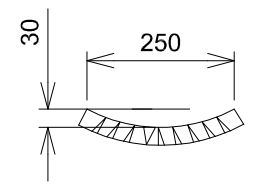
PLAN
GRATE NOT SHOWN



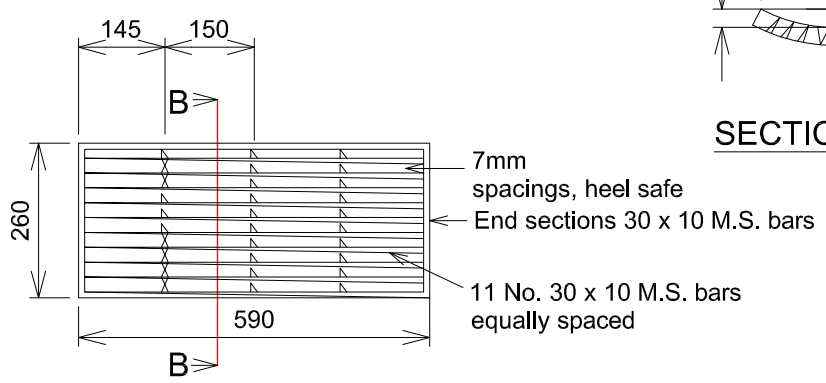
SECTION A - A



SPOON DRAIN SECTION



SECTION B - B



PLAN OF GRATE

NOTE : Grate to be Galvanised



SPOON DRAIN GRATED PIT

DATE REVIEWED
OCTOBER 2015

SCALE
NTS

STANDARD DRAWING

DRAWING No.
SDI017