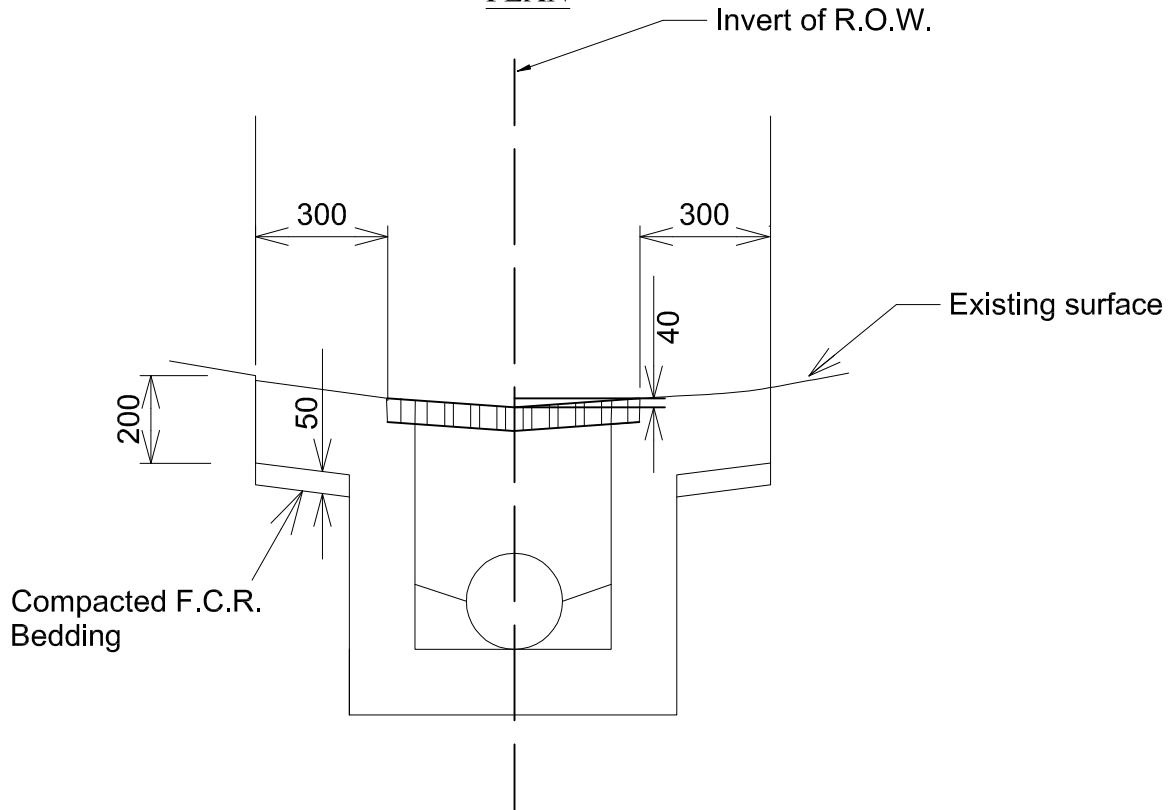


PLAN



SECTION A -A



SURROUND FOR TYPICAL GRATED
JUNCTION PIT IN PAVED R.O.W.

STANDARD DRAWING

DATE REVIEWED
OCTOBER 2015

SCALE
NTS

DRAWING No.
SDI016