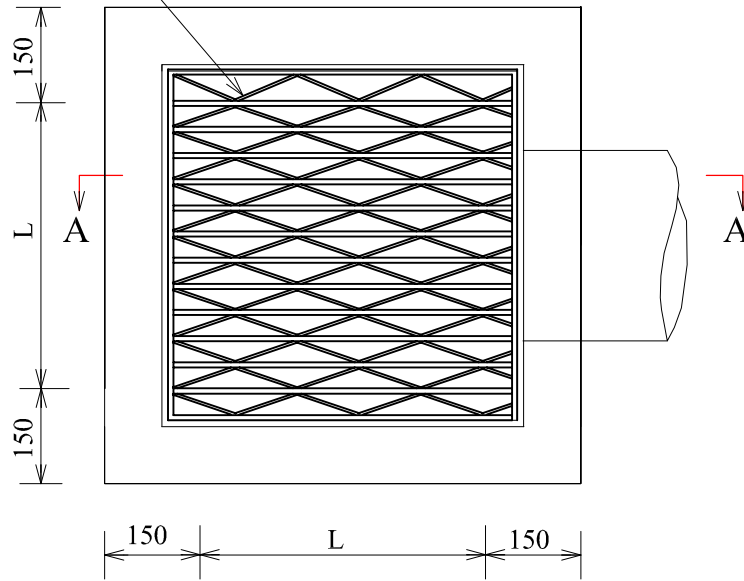
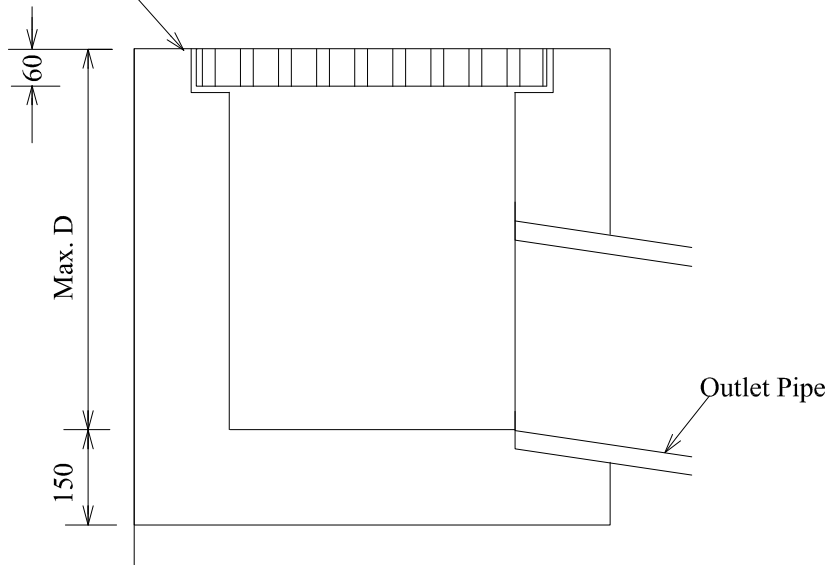


Weave Grate
Bike Safe as per SD1004



Grate Surround is to be fixed
in position with Cement Mortar.

PLAN
Not to Scale



SECTION A-A
Not to Scale

MAXIMUM DEPTH D	SIZE OF PIT L
<450	450
<650	600
650 < D < 1000	750



BOROONDARA
City of Harmony

GRATED PIT

STANDARD DRAWING

DATE REVIEWED
OCTOBER 2015

SCALE
NTS

DRAWING No.
SDI014