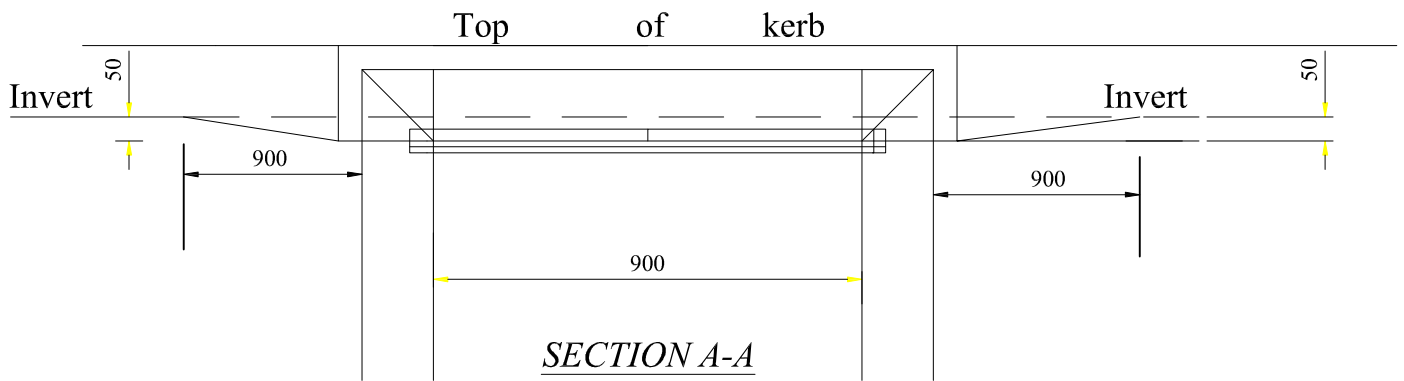
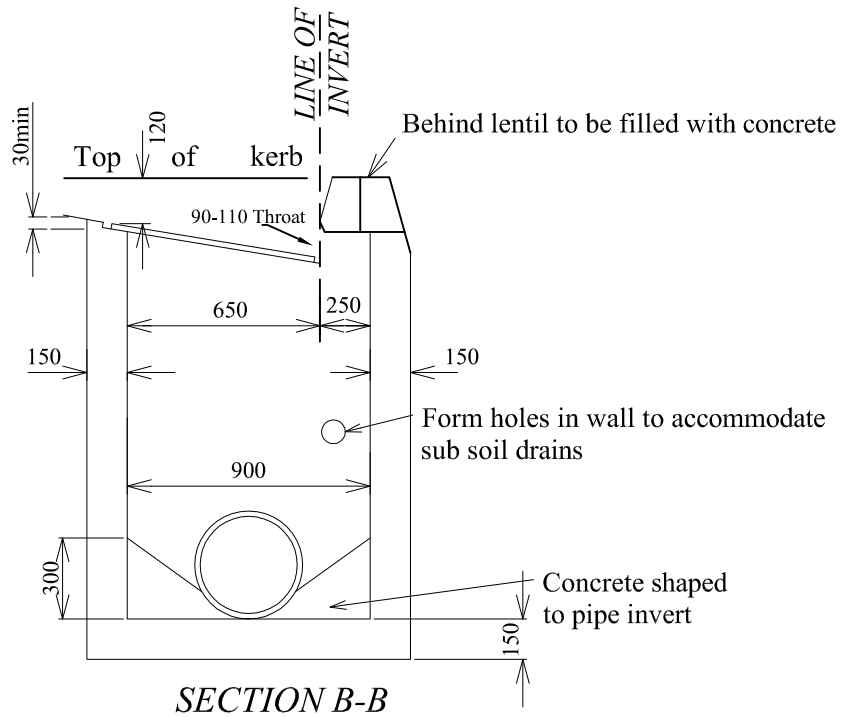


PLAN



SECTION A-A



SECTION B-B

NOTES:

1. Grate to be set 50mm below invert of channel
2. Channel grate and angle frame as per SD 1004
3. Pits deeper than 1000 to be fitted with step irons

**GRATED SIDE ENTRY PIT DRAIN
UNDER KERB AND CHANNEL**

DATE REVIEWED
OCTOBER 2015

SCALE
NTS

DRAWING No.
SDI012

STANDARD DRAWING

