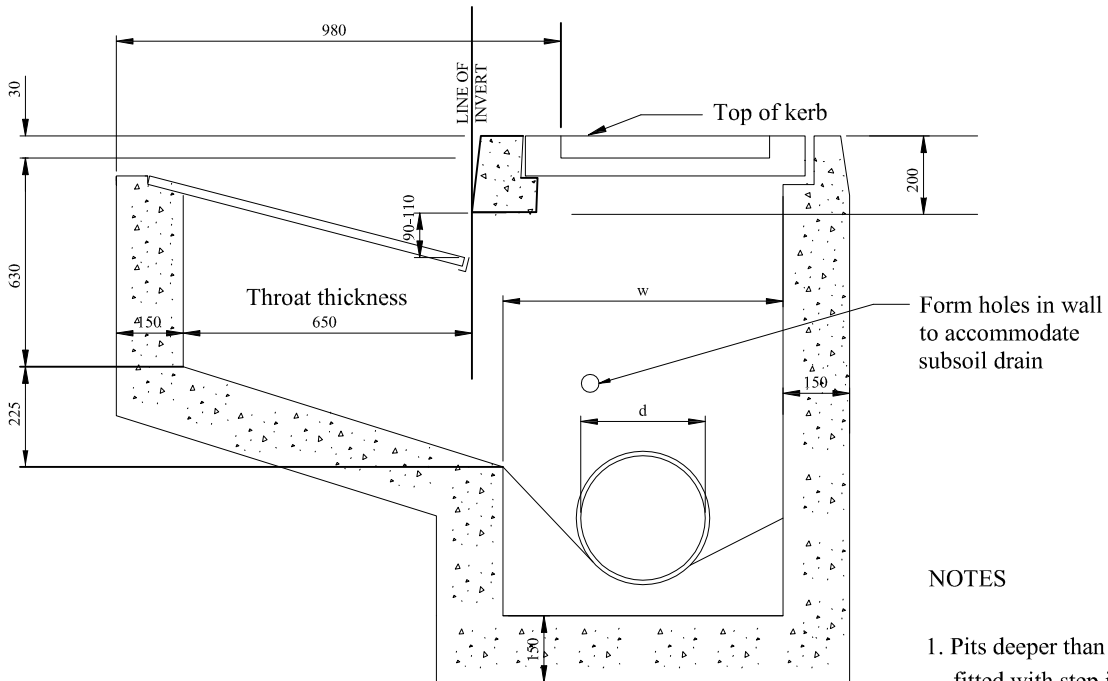


SECTION A - A



SECTION B - B

NOTES

1. Pits deeper than 1.0m to be fitted with step irons
2. Channel width to be splayed from 300mm to 700mm over 900mm
3. Minimum width of pit 600mm