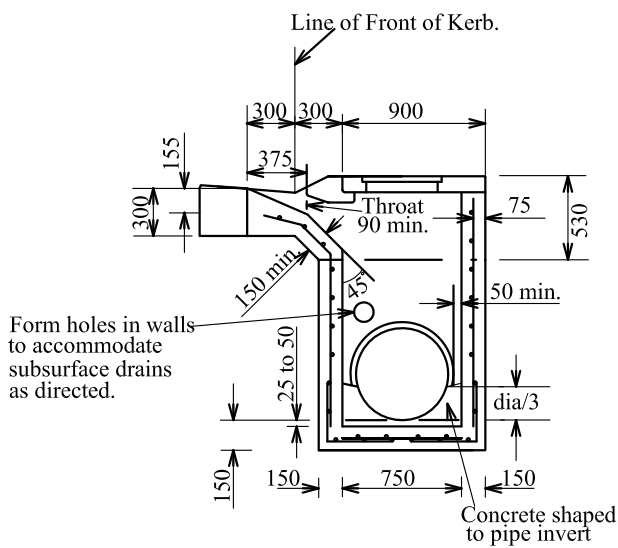
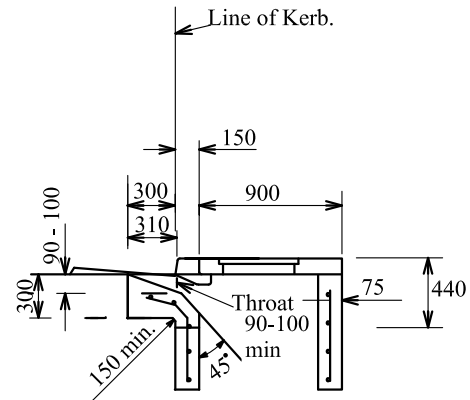


PLAN
(SM TYPE KERB)

REINFORCEMENT DETAILS	
PIT DEPTH "D"	REINFORCEMENT
UP TO 1.700	NIL
OVER 1.700	F92



SECTION B-B
PIT TYPE 1
(SM TYPE KERB)



SECTION B-B
PIT TYPE 2
(B TYPE KERB)

NOTES:

- HAUNCHING MAY BE REQUIRED FOR PIPES OVER 450mm dia. REFER TO PIT SCHEDULE FOR SIZES OF SPECIFIC PITS.
PITS WITH HAUNCHING IN TWO DIRECTIONS REQUIRE SPECIAL STRUCTURAL DESIGN
- PITS DEEPER THAN 1m SHALL BE FITTED WITH STEP IRONS. REFER TO SD1001
- IF FINAL PAVEMENT LAYERS ARE DEFERRED, PROVISIONS SHALL BE MADE TO PREVENT WATER FROM ENTERING THE PIT
- PRECAST PITS WITH THINNER WALLS AND LESS STEEL MAY BE ACCEPTED WHERE THE MANUFACTURER CAN DEMONSTRATE THAT THE PITS HAVE ADEQUATE CAPACITY TO SUPPORT A COMBINATION OF THE FOLLOWING LOADS
 - LATERAL LOADS - EARTH PRESSURE WITH 210kN SURCHARGE
 - HYDROSTATIC PRESSURE
 - COMPACTION PRESSURE 25kPa (min)
- VERTICAL LOADS - 210kN
- COVERS AND LINTELS ARE REQUIRED TO SUPPORT A TEST LOAD OF 100kN WITHOUT PERMANENT DEFORMATION OR DAMAGE. IN AREAS SUBJECT TO TRUCK LOADING, HEAVY DUTY COVERS (210kN) ARE TO BE INSTALLED.
- STANDARD SIDE ENTRY PIT INTERNAL DIMENSIONS TO BE 750mm WIDE 900mm LENGTH



SIDE ENTRY PIT

STANDARD DRAWING

DATE REVIEWED
OCTOBER 2015

SCALE
NTS

DRAWING No.
SDI009