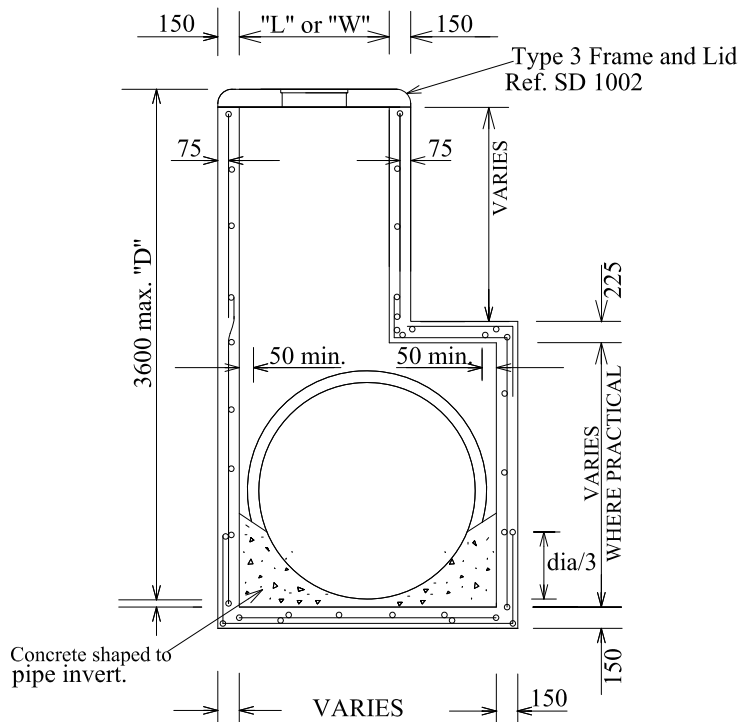


PITS - UP TO 3600 DEPTH

NOTES

1. Use 750 x 750 Pit for Junction Pits located in or within 300mm. of Traffic Lanes. These Pits require Heavy Duty Covers.
2. For Pits not in Traffic Lanes, the standard size is 750 x 750.
3. Haunching may be required for pipes over 450 dia. Refer to Pit for sizes of Specific Pits.
Pits with Haunching in two directions require Special Structural Design.
4. Pit Reinforcement Details are shown in Table. Fabric in shaft shall have the main bars positioned horizontally. Laps to be 300 min.
5. Pits deeper than 1000 shall be fitted with Step Irons. (Refer SD 1001)
Clear Cover to be 50 min. Corner Return Reinforcement may be fabric or equivalent bars.
6. Precast Pits with thinner walls and less steel may be accepted where the Manufacturer can demonstrate that the Pits have adequate capacity to support a combination of the following loads.
Lateral Loads - Earth Pressure with 210 kn surcharge.
- Hydrostatic Pressure
- Compaction Pressure 25 kPa min.
- Vertical Load - 210 kn.



HAUNCHED PITS - UP TO 3600 DEPTH

REINFORCEMENT DETAILS

| PIT DEPTH "D" | REINFORCEMENT |
|---------------|---------------|
| UP TO 1.700 | NIL |
| OVER 1.700 | F 92 |