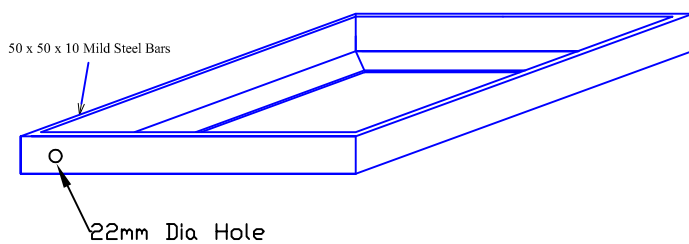
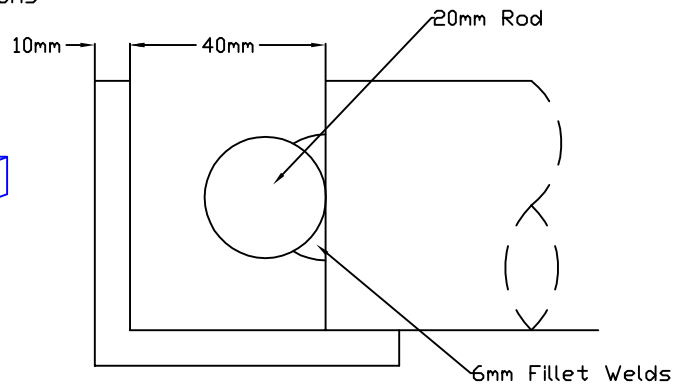


Angle iron grate 1150 x 750 Outside dimensions
10 x 60 x 60 Mild Steel Angle



MILD STEEL ANGLE SURROUND



HINGE DETAIL
(NOT TO SCALE)

NOTES

1. All joints to be 6mm fillet welds
2. Grates to be hinged into frames
3. Grates are to be galvanised