

# Drinking Fountain - Local

## City of Boroondara - Design Standards

### Supply and Installation Details

Material Code: **FR32**

#### Materials

Composite batten (recycled plastic and timber).

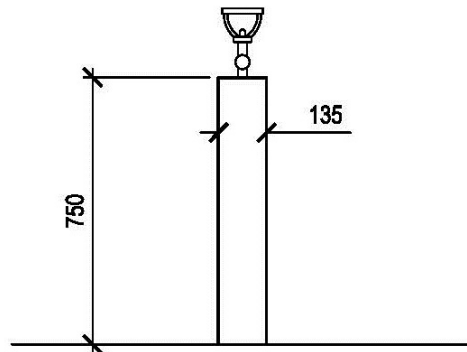
Optional dog bowl: refer to **Drinking Fountain Urban Design Guidelines** for when a dog bowl should be considered.

#### Colour

Replas Green (or approved equivalent).



**Detail:** (not to scale)



#### Installation Notes

Drinking fountain to be installed to avoid ponding of water.

Drinking fountain to be offset a minimum one metre from pathways.

#### Application Sites

Typically used in local sites which attract less activity but still warrant a drinking fountain. Sites include local, small local and small local link open spaces, local playgrounds, and shared paths as part of linear trails.