

Drinking Fountain

City of Boroondara - Design Standards

Supply and Installation Details

Material Code: **FR31**

Materials and Finish

Body: Grade 316 stainless steel with a satin finish.

Optional dog bowl: refer to **Drinking Fountain Urban Design Guidelines** for when a dog bowl should be considered.

Application Sites

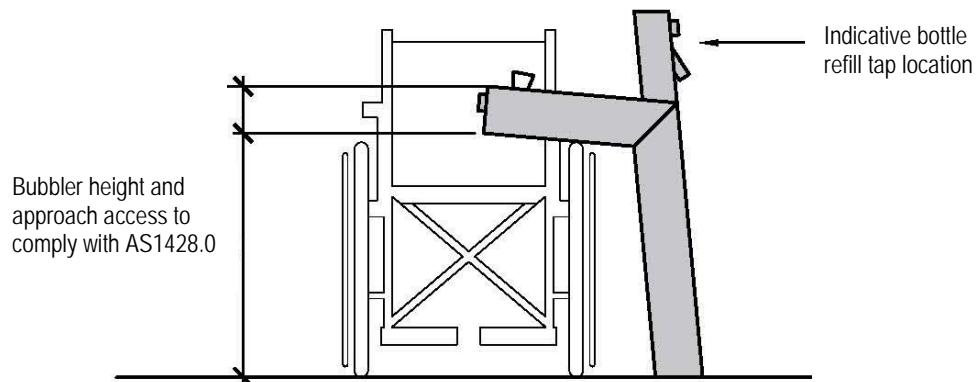
To be installed with hard paved surface and drainage to avoid ponding of water.

To be offset a minimum of one metre from paths to avoid interference with pedestrian and cyclist circulation.

In urban streetscapes, drinking fountains must be installed a minimum of 700mm from the face of kerb.



Detail: (not to scale)



Application Sites

Typically used in high profile sites which attract high activity and warrant a higher level of service.

Applicable sites include shopping centres; streetscapes; civic spaces, forecourts and public outdoor spaces associated with Council buildings; regional and municipal open spaces, regional and district level playgrounds.

At local playgrounds which are being upgraded to have accessible pathways and equipment.