

# Park Seat - Heritage

## City of Boroondara - Design Standards

### Supply and Installation Details

Material Code: **FR10**

#### Materials

Seat ends: powder coated recycled cast aluminium.  
Straps: powder coated mild steel.  
Slats: Australian recycled or FSC hardwood timber. Back slats are a custom size of 140 x 30mm.

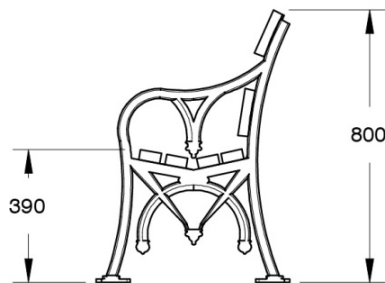
#### Colours

Standard colour: Dulux 'Deep Brunswick Green' code 50068,  
Timber painted green to match powdercoat.

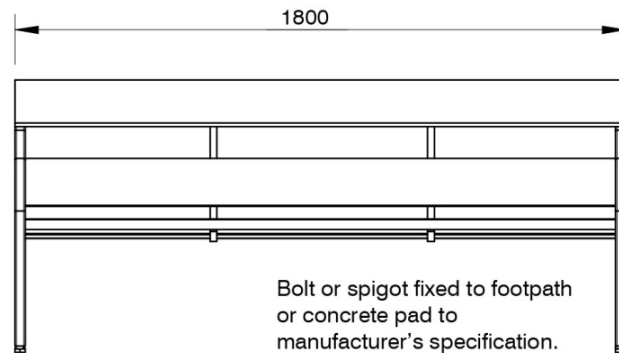
Note: colour and may vary for specific sites.



#### Detail (not to scale)



Side



Front

Image source: Furphy Foundry

#### Application Sites

Public open space maintained by Council as Heritage Gardens (refer to **Boroondara Furniture Style Locations** schedule).

Note: For residential streets use FR09