

# Seat - Heritage Style (Streets)

City of Boroondara - Design Standards

## Supply and Installation Details

Material Code: **FR09**

### Supplier

Furphy Foundry (or similar approved)

### Materials

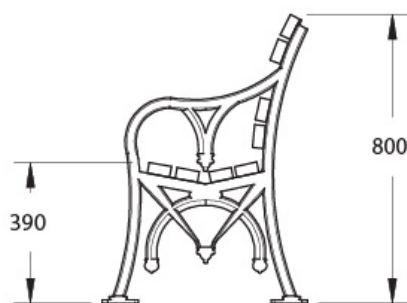
Seat ends: powder coated recycled cast aluminium  
Straps: powder coated mild steel (colours below)  
Batten: Composite of 50% recycled plastic and timber

### Colours

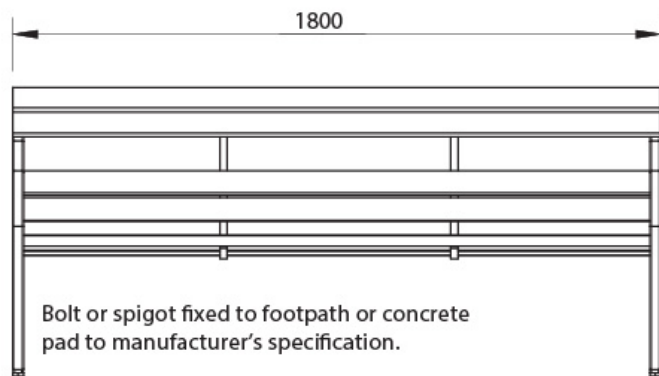
Frame: Dulux 'Deep Brunswick Green' code 50068



### Detail (not to scale)



Side



Front

Image source: Furphy Foundry

### Application Sites

Residential streets

Shopping centres: Maling Road