

# Bicycle Leaning Rail

## City of Boroondara - Design Standards

### Supply and Installation Details

Material Code: **FR05**

#### Materials

316 stainless steel with satin polished finish  
Fix in place with concrete footings

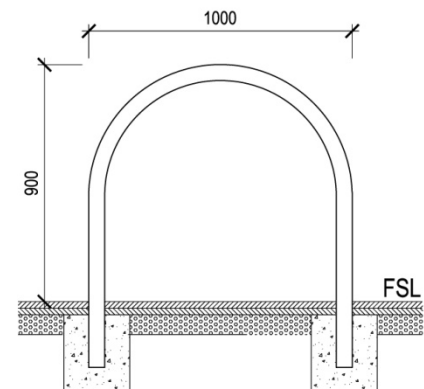
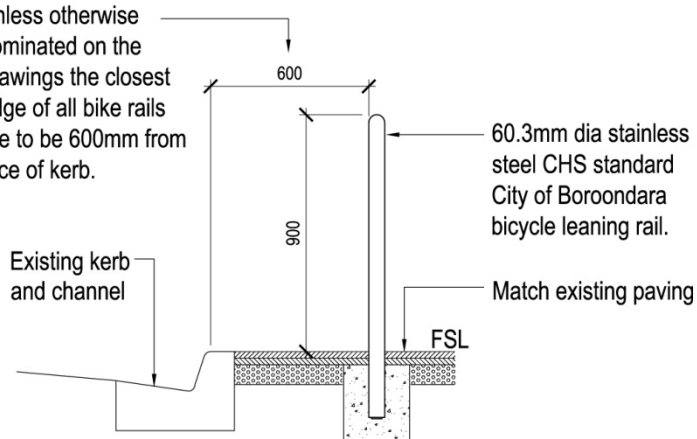
#### Notes

When installed on footpath, ensure bicycle rail is set a minimum of 600mm off face of kerb



#### Detail (not to scale)

Unless otherwise nominated on the drawings the closest edge of all bike rails are to be 600mm from face of kerb.



#### NOTE

Bike rails to be supplied by the City of Boroondara. All bike rail locations are to be marked out for approved by the Superintendent prior to installation. All bike rails are to be placed parallel with back of kerb.