

Bin Surround - Recycle

City of Boroondara - Design Standards

Supply and Installation Details

Material Code: **FR04**

Materials

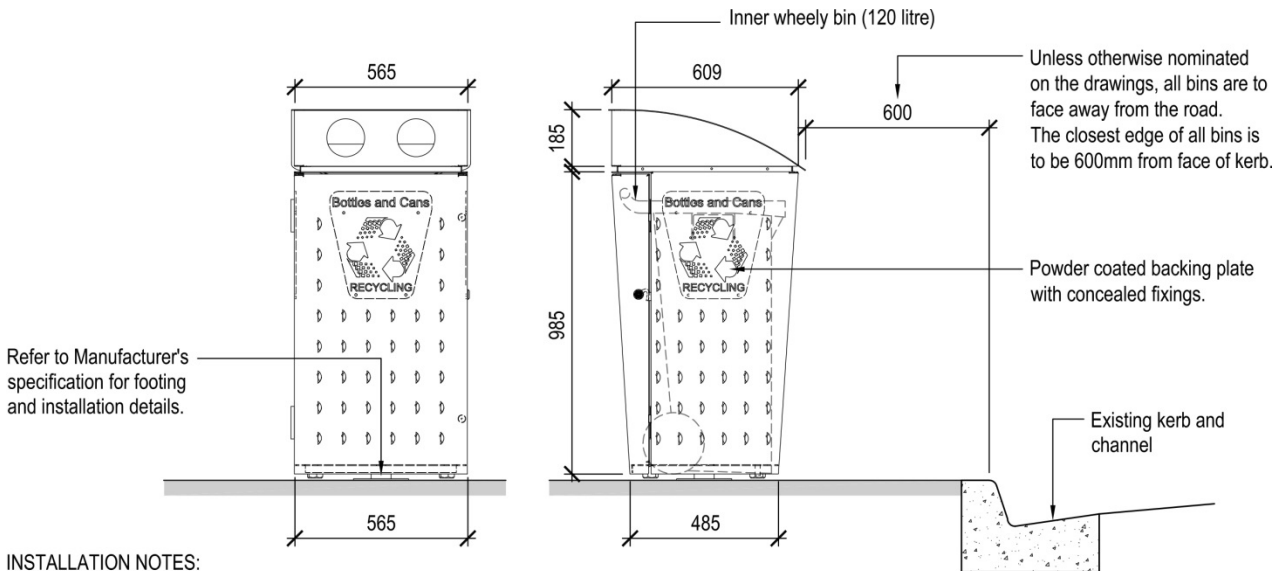
Top: brushed stainless steel lid with two circular openings (no rubber to openings)
 Body: powder coated mild steel (colours below)
 Graphic: laser cut artwork with powder coated mild steel backing (colours below)
 Rubbish container: 120 litre plastic wheely bin

Colours

Standard colour: *Dulux 'Blaze Blue Gloss'* code 19941
 Graphics and font colour: *Dulux 'Safety Yellow'* code 2015G



Detail (not to scale)



INSTALLATION NOTES:

- Ensure bin is level by altering adjustable feet so that bin door can open fully where the footpath is not level. Where footpath is not level, distance between pavement and lowest edge of bin to be 25mm (max.) on the high side of the slope.
- Concrete footing and all connections to be installed as per Manufacturer's specification.
- All bins to be placed parallel with back of kerb.
- All bin locations are to be marked out for approval by the Superintendent prior to installation.