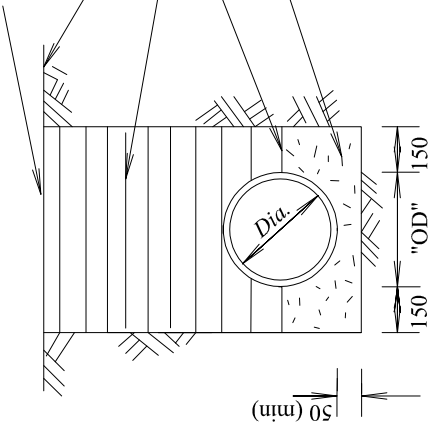


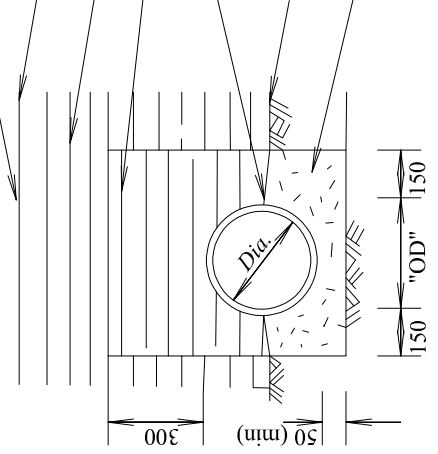
TRENCH CONDITIONS: A
UNDER ROAD AND FOOTPATH PAVEMENT

100mm fine top soil and seed
 Original / final surface
 Selected backfill as specified.
 Spring line.
 Class 2 Crushed Rock.



TRENCH CONDITIONS: B
GENERAL - UNDER NATURE STRIPS AND EASEMENTS

100mm fine top soil and seed
 Top of embankment.
 Common backfill.
 Selected backfill as specified.



TRENCH CONDITIONS: C
EMBANKMENT

- NOTES:
1. ALL PIPES IN ROAD RESERVES TO BE REINFORCED CONCRETE PIPES WITH STANDARD BACKFILL
 2. IF PVC PIPE APPROVED BY COUNCIL SUPERVISOR, PIPE TO BE SURROUNDED IN CONCRETE OR SIMILAR APPROVED PRODUCT