

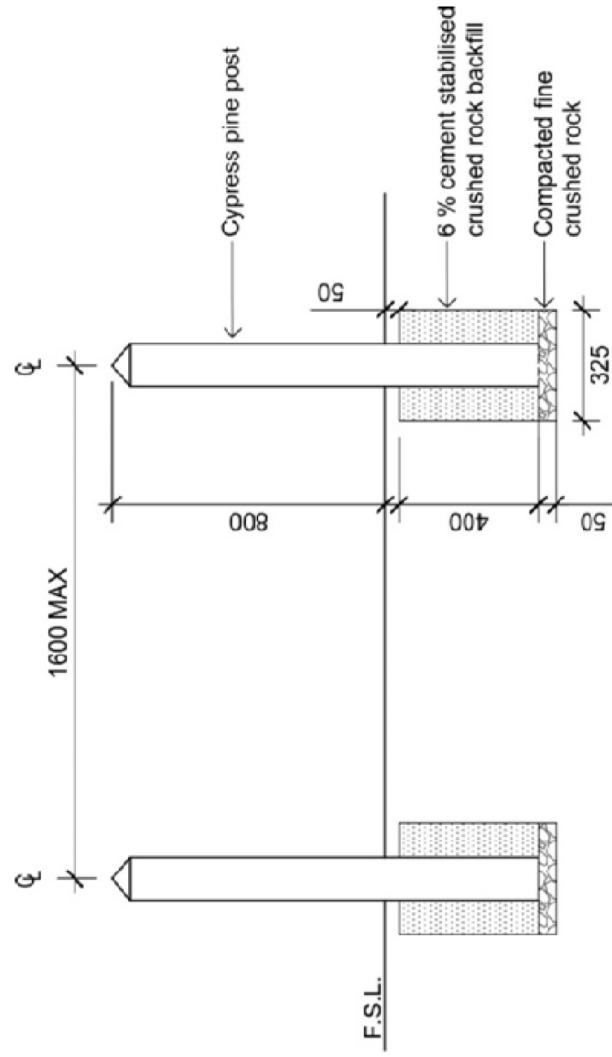
Materials

Post: 115 x115 F7 seasoned K.D white Cypress pine dressed all around. Pyramid bevel tops and sanded smooth.



Note: optional to have council logo cut into sides of the bollard and painted

Detail: (Not to Scale)



NOTES:
SECTION OF BOLLARD TO BE BURIED TO BE COATED IN
BITUMINOUS PAINT



BOROONDARA
City of Kermanshah

TIMBER POST

STANDARD DRAWING

DATE REVIEWED

MAY 2022

SCALE

NTS

DRAWING No.

FE01